

Accessory

Pitot tube

RoHS compliant

Total static pressure tube

For measuring static pressure of air volume, velocity and dynamic pressure when air velocity is 2 m / s or more (for example measurement of internal pressure of tube)

WO81

WO70

FR51A

MS30

MS61A

MS65

EB3C

EMD8

EMD7

EMT6

EMT1

EMTGP1

EMT1H

EMP5

EMA3

EMRT1

HWS15

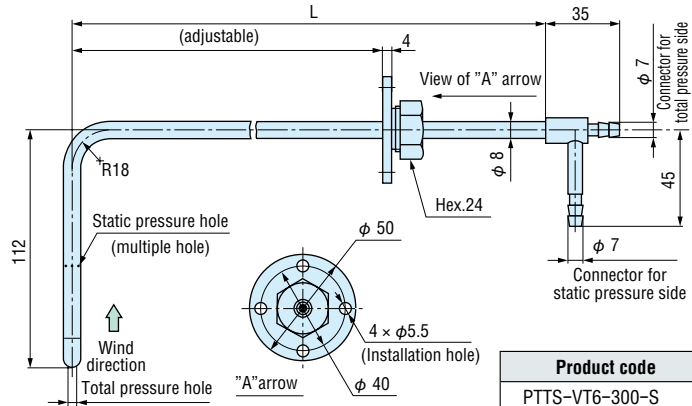
Combination of Manosys

Accessories

Application Cautions for use Maintenance



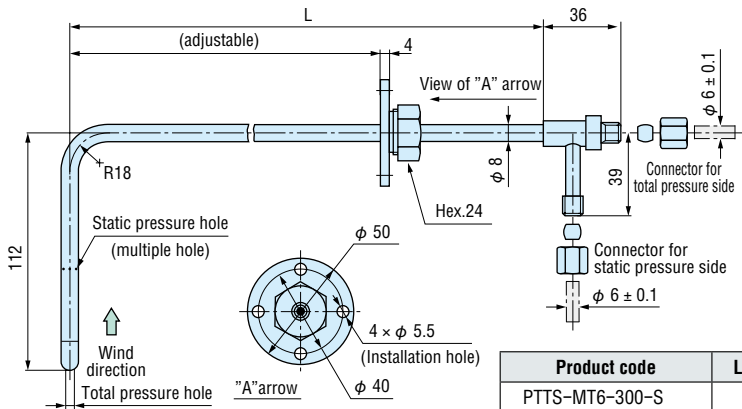
For vinyl or plastic tube



(The body is made from stainless steel)

Product code	L (mm)
PTTS-VT6-300-S	300
PTTS-VT6-500-S	500
PTTS-VT6-800-S	800

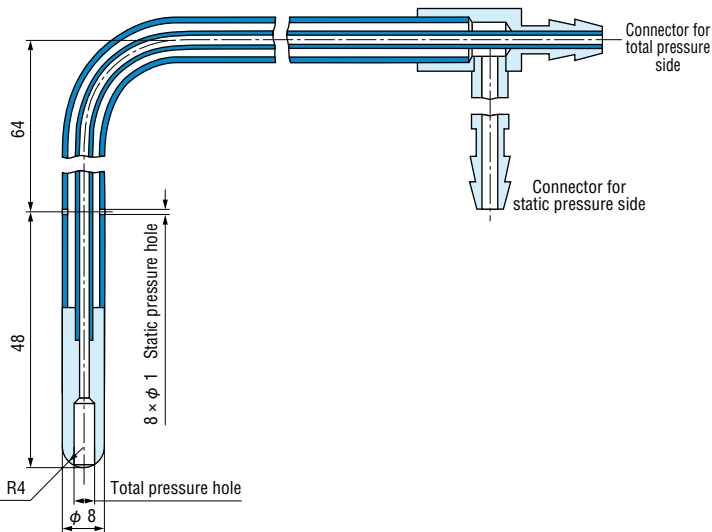
For metal tube



(The body is made from stainless steel)

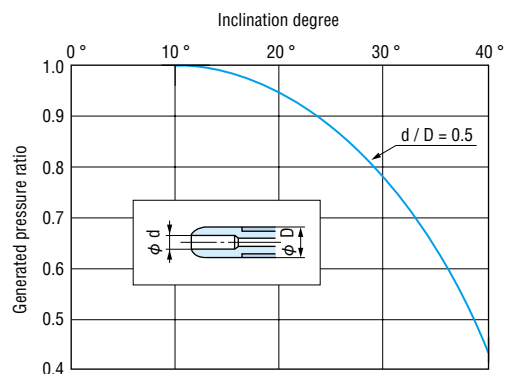
Product code	L (mm)
PTTS-MT6-300-S	300
PTTS-MT6-500-S	500
PTTS-MT6-800-S	800

Outline drawing



Characteristic by inclination of total static pressure tube

The below chart shows the ratio between the pressure to be measured when the tip division in the straight tube is positioned parallel to the air flow line and the pressure to be measured when the tip division in the straight tube is inclined against the air flow line. When the inclination is less than 10°, there is no problem on the measurement.



Product Warranty

Warranty Period

This product warranty is valid for one year from the date of delivery to a place specified by an ordering party who has transacted directly with Yamamoto Electric Works Co., Ltd.

Coverage

If a product breaks down due to a reason for which we are responsible during the warranty period and you return the product to us, we will either repair or replace the product free of charge.

This warranty does not cover:

- (1) Usage of the product under any inappropriate conditions or environment contrary to what is described in our product catalog, specifications or manual.
Handling or usage of the product other than as described in our product catalog, specifications or manual.
- (2) Breakdown due to a reason other than a fault within our product.
- (3) Any product that has been modified or repaired by a party other than us.
- (4) Any breakdown due to a reason that was not foreseeable based on scientific and technical standards applied at the time of shipment.
- (5) Any breakdown due to a reason not attributable to us such as a natural calamity or other disaster.

These terms of warranty represent our entire liability with respect to the product, and we shall have no liability for any other loss arising in connection with a breakdown of the product.

*This product warranty is only valid within Japan.

This document is a translation from the original Japanese version, and the original Japanese version has priority over this translation.

Be sure to refer to the original Japanese for the details of this warranty.



Caution

The Japanese original document shall always take precedence over the translated versions.

You should be sure to refer to the Japanese original document.

Sole Agent  **Manostar CO.,LTD.**

1-2-3, Nishishiriike-cho, Nagata-ku, Kobe,
Hyogo 653-0031 JAPAN
TEL. +81 (78) 621-7000 FAX. +81 (78) 621-7788

Manufacturer  **Yamamoto Electric Works Co., Ltd.**

1-2-3, Nishishiriike-cho, Nagata-ku, Kobe,
Hyogo 653-0031 JAPAN
TEL. +81 (78) 631-6000 FAX. +81 (78) 631-6020